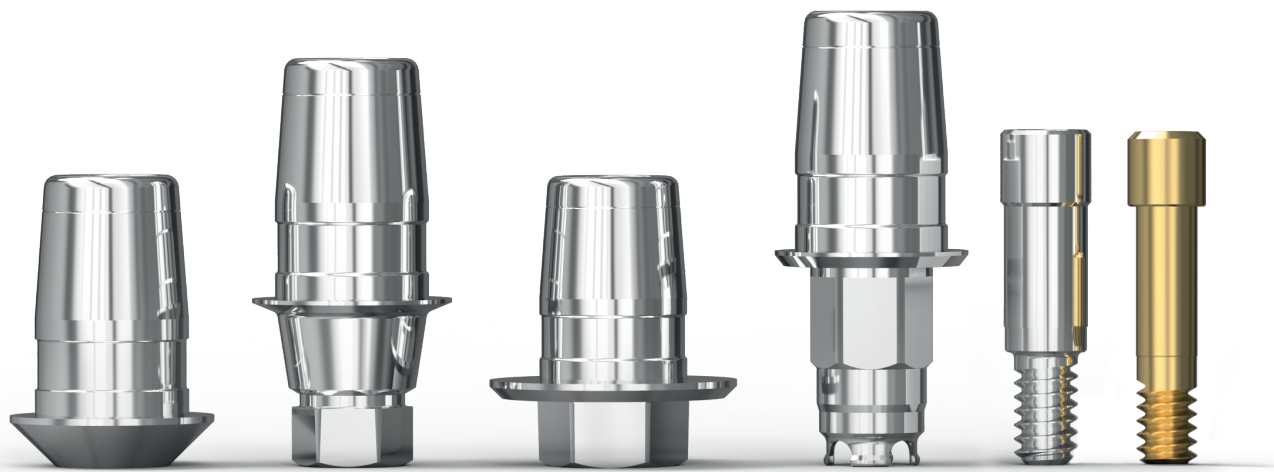




# GenTek®

## Ti-Bases with Standard Post



### CEREC®\*-compatible GenTek Ti-Base features and benefits:

- Flexibility** Flexibility for both screw- and cement-retained indications
- Restorations** Indicated for use for single-unit, multi-unit, and full-arch restorations
- Connection** GenTek branded to indicate a genuine ZimVie connection

\*CEREC Blocks also named Sirona inCoris Meso Block

## CEREC Workflow-Closed System (for Certain® and TSV® connections only)



\*CEREC is a closed workflow, clinicians can use their CEREC Scan bodies and library files.

## CEREC Ti-Bases for ZimVie implant systems and corresponding GenTek Ti-Bases

Implant	Implant Diameter	Platform	Ti-Base	REF	Compatible GenTek Engaging Ti-Bases
Certain (Tapered and Parallel Walled), T3®, T3 PRO	3.4	3.4	B C 3.4 S	6308048	ZFX11-ZB-CE-3447-ES
	4.1	4.1	B C 4.1 L	6308097	ZFX11-ZB-CE-4147-ES
	5.0	5.0	B C 5.0 L	6308121	ZFX11-ZB-CE-5047-ES
TSV, TM®, TSX® (3.5 mm and 4.5 mm platform)	3.7 / 4.1	3.5	Z TSV 3.5 L	6282581	ZFX11-ZB-TSV-3547-EL
	4.7	4.5	Z TSV 4.5 L	6282599	ZFX11-ZB-TSV-4547-EL
	6.0	5.7	Z TSV 5.7 L	6282607	ZFX11-ZB-TSV-5747-EL

GenTek Ti-Base for TSX 2.9 mm and Eztetic® restorative platforms not available in the Sirona library for CEREC chairside clinicians

Dental labs will need the GenTek Library to design and produce crowns using Sirona CEREC blocks

To order genuine ZimVie digital restorative components, call your local representative, send an email to [dentalCS@ZimVie.com](mailto:dentalCS@ZimVie.com), or order directly from <https://eservices.zimviedental.com/>

For more information, visit [ZimVie.com](https://www.zimvie.com)

ZimVie  
4555 Riverside Drive  
Palm Beach Gardens, FL 33410  
1-800-342-5454  
Phone: +1-561-776-6700  
Fax: +1-561-776-1272



Unless otherwise indicated, as referenced herein, all trademarks and intellectual property rights are the property of ZimVie Inc. or an affiliate; and all products are manufactured by one or more of the dental subsidiaries of ZimVie Inc. (Biomet 3i, LLC, Zimmer Dental, Inc., Zfx GmbH, etc.) and marketed and distributed by ZimVie Dental and its authorized marketing partners. GenTek is manufactured by Zfx GmbH, a subsidiary of ZimVie. CEREC is a registered trademark of Sirona Dental Systems. For additional product information, please refer to the individual product labeling or instructions for use. Product clearance and availability may be limited to certain countries/regions. This material is intended for clinicians only and does not comprise medical advice or recommendations. Distribution to any other recipient is prohibited. This material may not be copied or reprinted without the express written consent of ZimVie. ZV2336 REV A 05/24 ©2024 ZimVie. All rights reserved.

